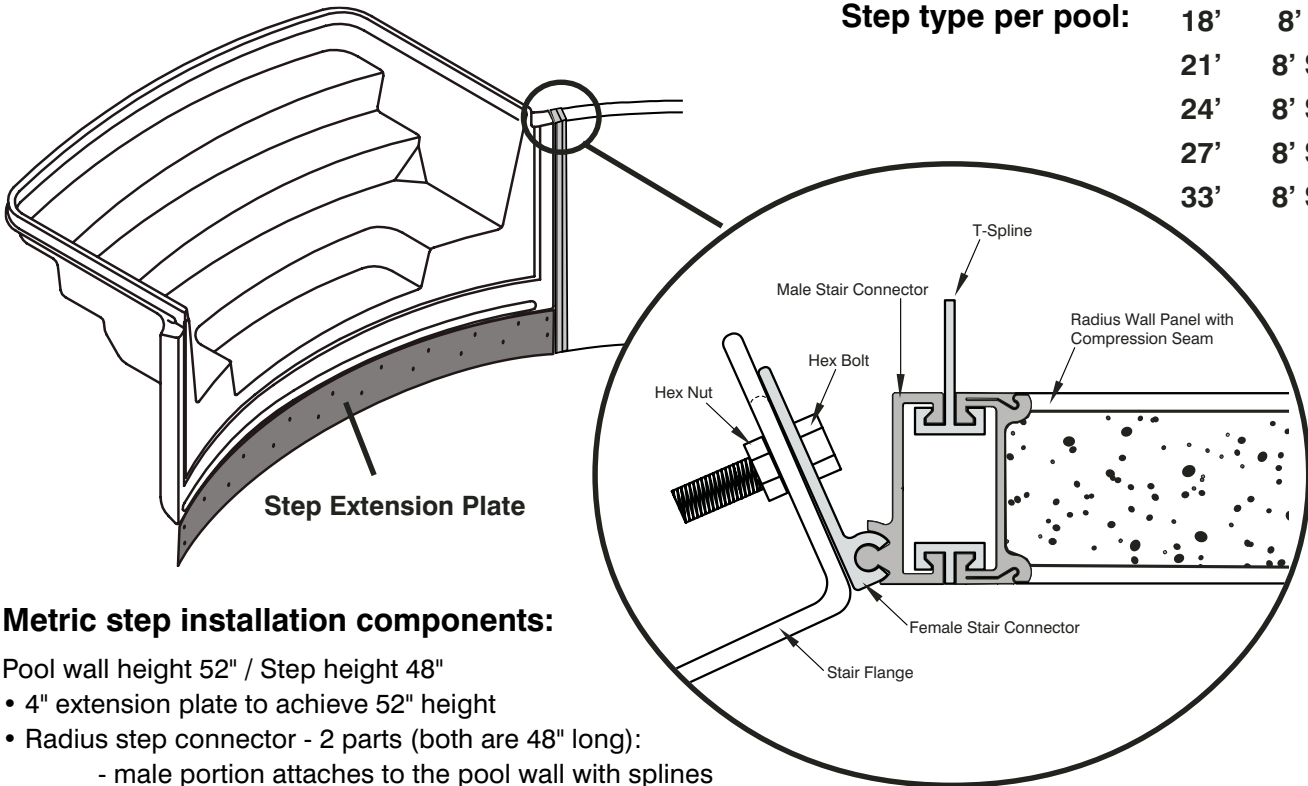


INGROUND INSTALLATION

Walk-in Step Information

Step type per pool:	18'	8' Radius
	21'	8' Straight
	24'	8' Straight
	27'	8' Straight
	33'	8' Straight



Metric step installation components:

Pool wall height 52" / Step height 48"

- 4" extension plate to achieve 52" height
- Radius step connector - 2 parts (both are 48" long):
 - male portion attaches to the pool wall with splines
 - female portion is bolted to the step flange
- Standard spline for water side of the wall
- Extended spline for the outside to connect Aframe
- Each pool will have 1 panel that is shorter in length, except the 27' metric which will have two

Metric step installation procedure:

1. Locate the step in the installation position, level step, establish pool height.
2. Align the female step connector with the side flange of the step as pictured. The 'C' receiver toward and flush with front (water side) edge of the step. The top of the connector at finished wall height (pool height will be wall height plus coping on top).
3. Clamp connector in place, drill step flange at holes in connector with a 7/16 drill bit, bolt connector to the step, do not tighten until all panels are completely connected.
4. Slide male step connector down female connector attached to step.
5. Install standard spline on water side and extended spline on outside connecting the step to the first panel.
6. Continue installing the panels to complete the wall installation. Be aware of skimmer panel location in desired spot.
7. Secure the joiner anchor plates with the 2 3/4" hex head bolts and the rebar into the ground through the pre-drilled hole in the plate
8. Install A-frames at the 2 extended splines, check level of step, tighten the step connector bolts.
9. Check panel joints for proper location-using the radius of pool from the established center point of the pool.
10. Encase the base of the pool and step with a concrete collar. See concrete requirements on page 16.

